

# Magnetic Buzzer (Washable)

## TMB SERIES



**TMB-05**  
(EIAJ:MB-RPD-C12-23)

**TMB-12**  
(EIAJ:MB-RPD-C12-23)

Conditions for soldering & washing are [here](#).

### Feature

- Dip-solderable and washable
- Compact
- Low current consumption

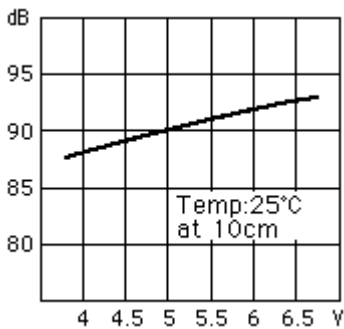
### Applications

- microwave oven
- telephone
- timer
- automobile electronics
- computer peripherals
- printer
- POS system
- electronic cash register
- portable battery-operated equipment

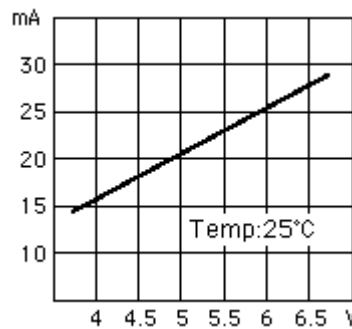
### Characteristics

#### TMB-05

Sound Output vs. Voltage

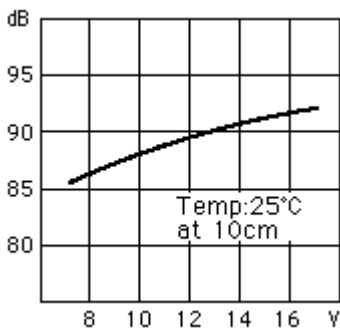


Current vs. Voltage

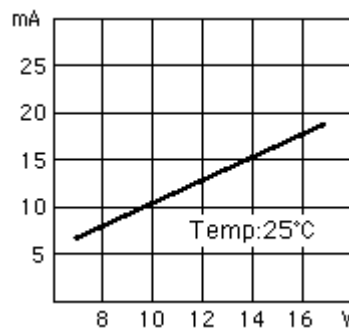


#### TMB-12

Sound Output vs. Voltage



Current vs. Voltage



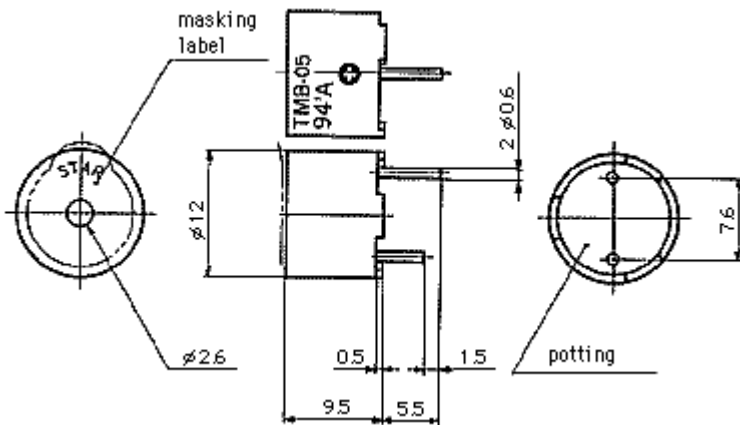
## Specifications

Type	TMB-05	TMB-12
Rated Voltage (V)	5	12
Operating Voltage (V)	4 to 6.5	8 to 16
*Mean Current Consumption (mA)	MAX30 (TYP22)	MAX30 (TYP15)
*Sound Output at 10cm (dB)	MIN85 (TYP88)	MIN85 (TYP88)
*Basic Frequency (Hz)	2,300±300	
#Response Time (msec)	MAX50	
Operating Temperature (°C)	-40 to +85	
Storage Temperature (°C)	-40 to +85	
Weight (g)	2	

\*Value applying rated voltage

#Value applying min. operating voltage

## Dimensions



unit: mm

housing material: PPE-M

\*Long pin:(+)